



# WCS12B

## Ip=500A



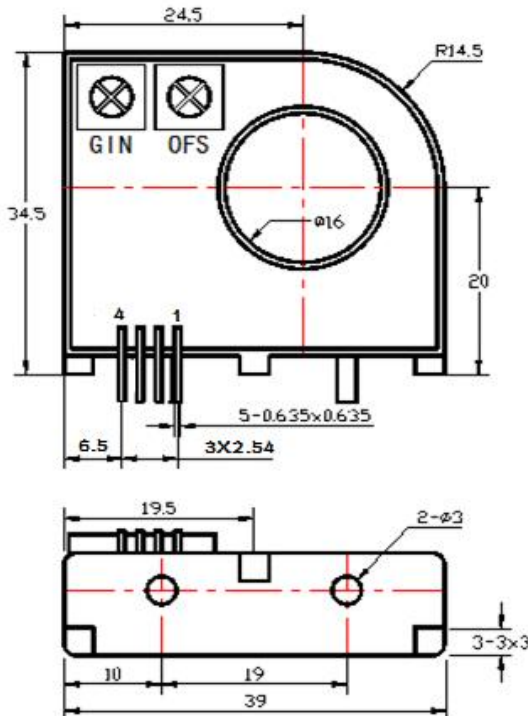
### 产品特点 Products Features

- 安装方便  
Easy mounting
- 体积小, 节省空间  
Small size and space saving
- 无插入损耗  
No insertion losses
- 抗干扰能力强  
High immunity to external interference

### 应用领域 Applications

- 交流变速驱动器  
AC variable speed drives
- 直流电机驱动静态转换器  
Static converters for DC motor drives
- 通讯电源  
Battery supplied applications
- 不间断电源 (UPS)  
Uninterruptible Power Supplies
- 开关电源 (SMPS)  
SWITCHED Mode Power Supplies
- 电焊机  
Power supplies for welding applications

### 机械尺寸 Mechanical dimension



### 引脚功能定义

PIN	
1	+15V
2	-15V
3	OUT
4	GND

### 机械特性

#### Mechanical characteristics

一般公差  
General tolerance  
± 0.5 mm

其它公差执行  
Other tolerance execution  
GB/T 1804-2000-M

1-4固定针尺寸  
1-4 Fixing hole size  
0.64mm×0.64mm (×4)

5-6固定针尺寸  
5-6 Fixing hole size  
φ 3.0

建议焊接温度  
Recommended wave soldering temperature  
265°C ± 5°C

### 注意 Remarks

- 错误的接线可能导致传感器损坏。  
The false wiring may result in the damage of the sensor.
- Ip方向与产品箭头方向一致时, 输出电压为正极。  
V<sub>OUT</sub> is positive when I<sub>P</sub> flows in the direction of the arrow.
- 当初级导体完全充满初级孔径时动态表现 (di/dt和响应时间) 为最佳效果。  
Dynamic performances (di/dt and response time) are best with a single bar completely filling the primary hole.
- 初级导体的温度不应超过130°C。  
Temperature of the primary conductor should not exceed 130° C.

**电气参数Electrical data WCS12B-XXXX**除非另有说明，否则环境参数均为@  $T_A = 25^{\circ}\text{C}$ ,  $R_L = 10\text{ k}\Omega$ 

型号 Type	WCS12B-75A	WCS12B-150A
额定测量电流 $I_{PN}$ Rated input	$\pm 75\text{A}$	$\pm 150\text{A}$
测量范围 $I_{PM}$ Measure range	$\pm 225\text{A}$	$\pm 450\text{A}$
额定输出电压 $V_{OUT}$ Rated output voltage	$\pm 4\text{V}$	
零点失调电压 $V_0$ Offset voltage	$\pm 20\text{mV}$	
电源电压 $V_C$ Supply voltage	$\pm 15\text{V DC} (\pm 5\%)$	
负载电阻 $R_M$ Load resistance	$\geq 10\text{K}\Omega$	
线性度 $\epsilon_L$ Linearity	$\leq 0.5\%FS$	
总体精度 $X$ Overall accuracy	$\pm 1\%FS$	
零点失调电压温漂 $V_{OUT}$ Offset voltage drift	$\pm 0.5\text{mV}/^{\circ}\text{C}$	
幅度电压温度漂移 $V_{OUT}$ Amplitude voltage temperature drift	$\leq 0.1\%/^{\circ}\text{C}$	
静态电流消耗 $I_C$ Current consumption	$\leq \pm 20\text{mA}$	
响应时间 $T_R$ Response time	$< 5\mu\text{s}$	
频带宽度 $BW$ Frequency bandwidth-3db	DC-20KHz	
di/dt跟随精度 di/dt accurately followed	$> 25\text{A}/\mu\text{s}$	
绝缘耐压 $V_D$ Galvanic isolation	50Hz, 1min, 2.5KV	
工作环境温度 $T_A$ Ambient operating temperature	$-20\sim+85^{\circ}\text{C}$	
储存环境温度 $T_s$ Ambient storage temperature	$-25\sim+95^{\circ}\text{C}$	
质量 $m$ Mass	$\approx 30\text{g}$	
执行标准 Standards	JB/T 7490-2007	

**定制Customized**

这是一个标准的产品，需要其他规格（测量电流、电源电压、输出电压、连接器、转换比率等）请联系我们。  
This is a standard model. For different versions (IP, supply voltages, output voltages, connection of secondary, turns ratios...), please contact us.

**联系方式Contact information**

李伟军 18576721398 victor801@vicorv.com